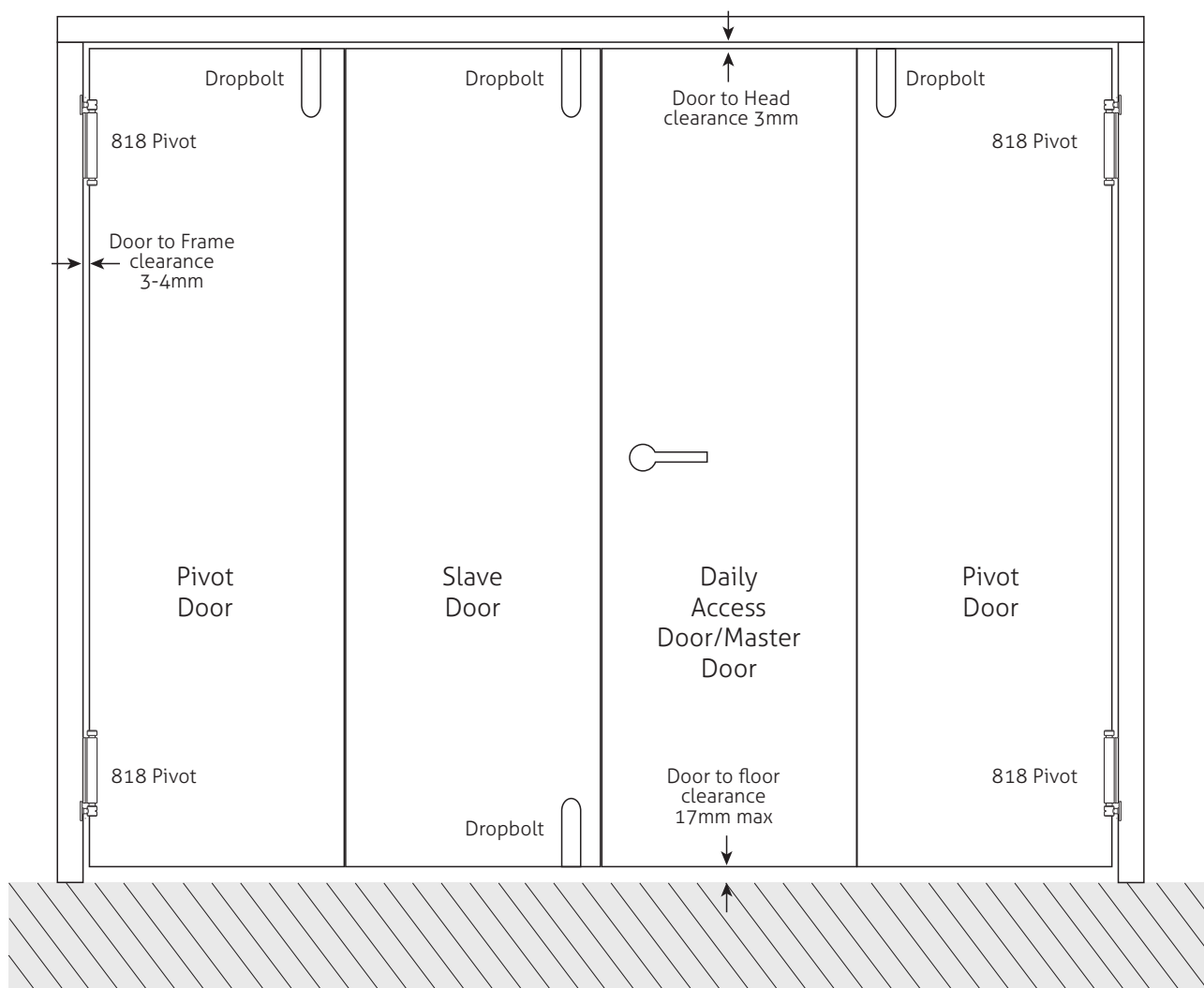


INTERNAL FRENCHFOLD DOOR SYSTEM

3 AND 4
Door Patterns

CLIMADOOR

SUPERIOR QUALITY – REALISTIC PRICE



IMPORTANT

Please note: You can only assemble these door configurations by using the frame provided. Your warranty will be invalid if other alternatives are used. All loads are taken by the top track to ensure smooth, light operation and long life. Prior to installing this doorset, inspect for damage and do not proceed to fit if any noticeable damage or defect is evident. This doorset should be stored in a dry flat location before installation.

CAUTION



SAFETY: This product needs to be installed by a competent tradesperson with assistance. Two people are required to carry out the installation, as some components are heavy. The outer frame requires fixing to the supporting structure above the opening. The opening **MUST** be capable of carrying the load of the doorset in all conditions.

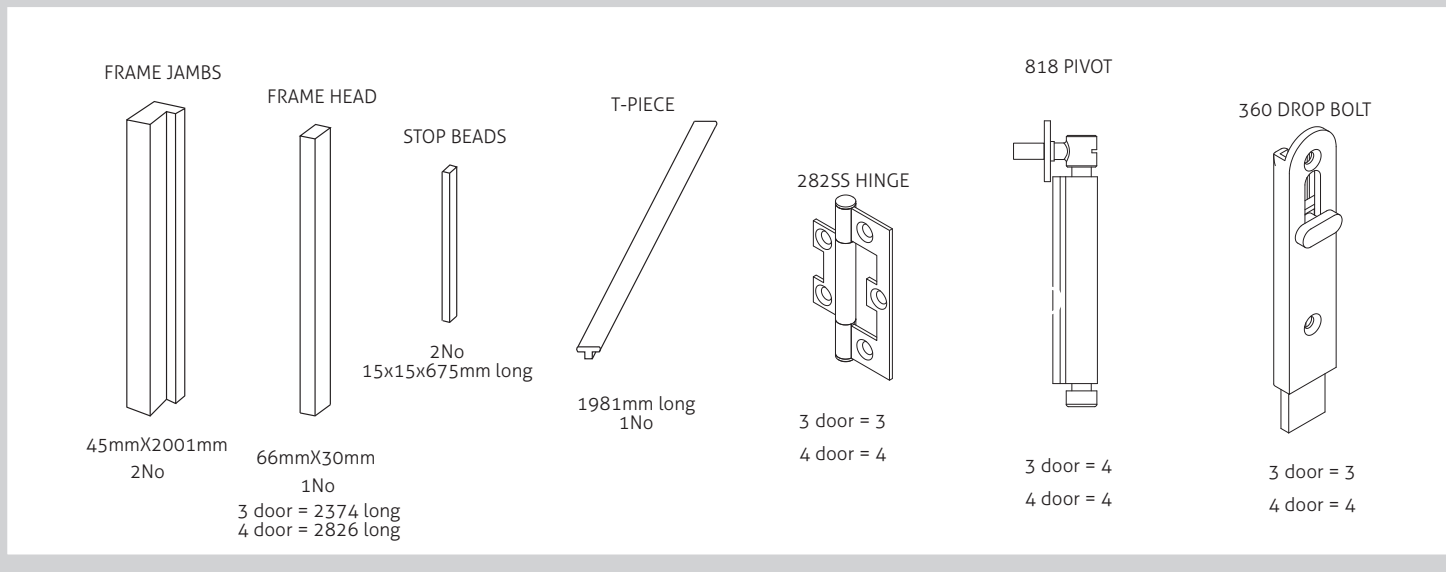
Thank-you for purchasing your interior "French-fold" door system. This set up comes complete with Frame, Doors and all Ironmongery (except handle and latch) and is supplied in both 3 and 4 door systems to allow you to open up your rooms when required while still maintaining that interior French door look.

Offering the benefit of folding completely back against the wall this revolutionary French-fold system gives you the benefit of bi-fold doors whilst retaining a central access point between rooms

CLIMADOOR Internal Frenchfold
3 and 4 Door System

01 INSTALLING YOUR DOORS

PACK COMPONENTS



02 FRAME SIZE AND DOOR OPTIONS

Check you have correct frame for the door pattern you have ordered. Frame pack size supplied.

No Doors / frame size ordered	Door Pattern / Size ordered	Std Frame Pack Supplied (WxH)mm	Structural Opening size recommended (WxH)mm
3 Door 1682 x 2031	2 + 1 x 533mm (21")	2374 x 2031	1692 x 2036
3 Door 1800 x 2031	2 + 1 x 573mm (22.5")	2374 x 2031	1810 x 2036
3 Door 1914 x 2031	2 + 1 x 610mm (24")	2374 x 2031	1924 x 2036
3 Door 2142 x 2031	2 + 1 x 686mm (27")	2374 x 2031	2152 x 2036
4 Door 2216 x 2031	2 + 2 x 533mm (21")	2374 x 2031	2226 x 2036
4 Door 2374 x 2031	2 + 2 x 573mm (22.5")	2374 x 2031	2384 x 2036
4 Door 2524 x 2031	2 + 2 x 610mm (24")	2826 x 2031	2534 x 2036
4 Door 2826 x 2031	2 + 2 x 686mm (27")	2826 x 2031	2836 x 2036



The recommended structural opening sizes give a clearance of 10mm on the width & 5mm on the height to allow the frame to be installed square in the opening.

Suggestion - Highlight the table to ensure you are working with the correct option before starting work.

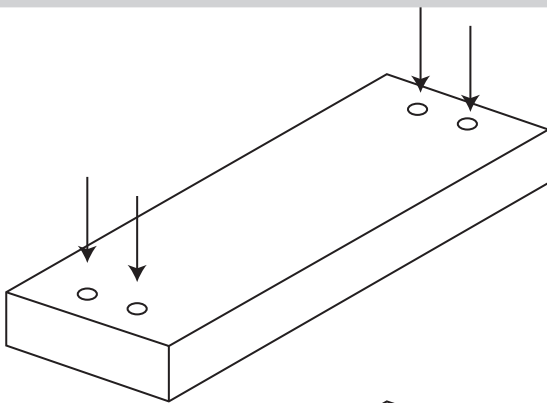
03 CUTTING YOUR HEAD DOWN

The sizing required for your product and opening.

No Doors / frame size ordered	Door Pattern / Size ordered	Std Frame Pack Supplied (WxH)mm	Cut the head down to:
3 Door 1682 x 2031	2 + 1 x 533mm (21")	2374 x 2031	1682
3 Door 1800 x 2031	2 + 1 x 573mm (22.5")	2374 x 2031	1800
3 Door 1914 x 2031	2 + 1 x 610mm (24")	2374 x 2031	1914
3 Door 2142 x 2031	2 + 1 x 686mm (27")	2374 x 2031	2142
4 Door 2216 x 2031	2 + 2 x 533mm (21")	2374 x 2031	2216
4 Door 2374 x 2031	2 + 2 x 573mm (22.5")	2374 x 2031	No Cutting Required
4 Door 2524 x 2031	2 + 2 x 610mm (24")	2826 x 2031	2524
4 Door 2826 x 2031	2 + 2 x 686mm (27")	2826 x 2031	No Cutting Required

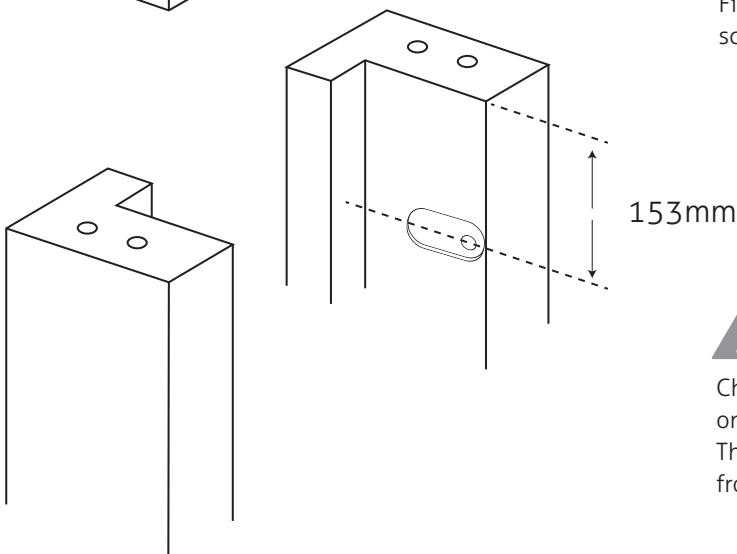
Suggestion - Highlight the table to ensure you are working with the correct option before starting work.

04 ASSEMBLING YOUR FRAME



Using a 3mm drill bit, drill two holes through the head into the top of the jambs approx 75mm deep. Countersink as necessary.

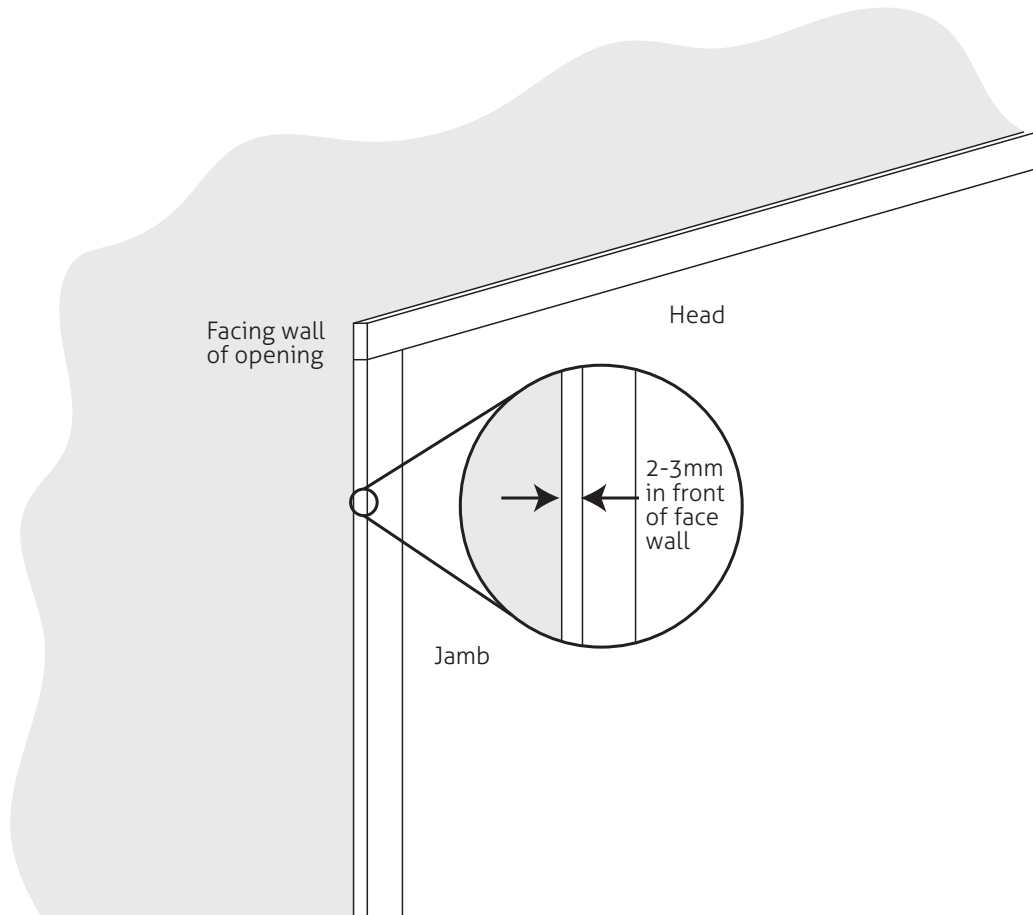
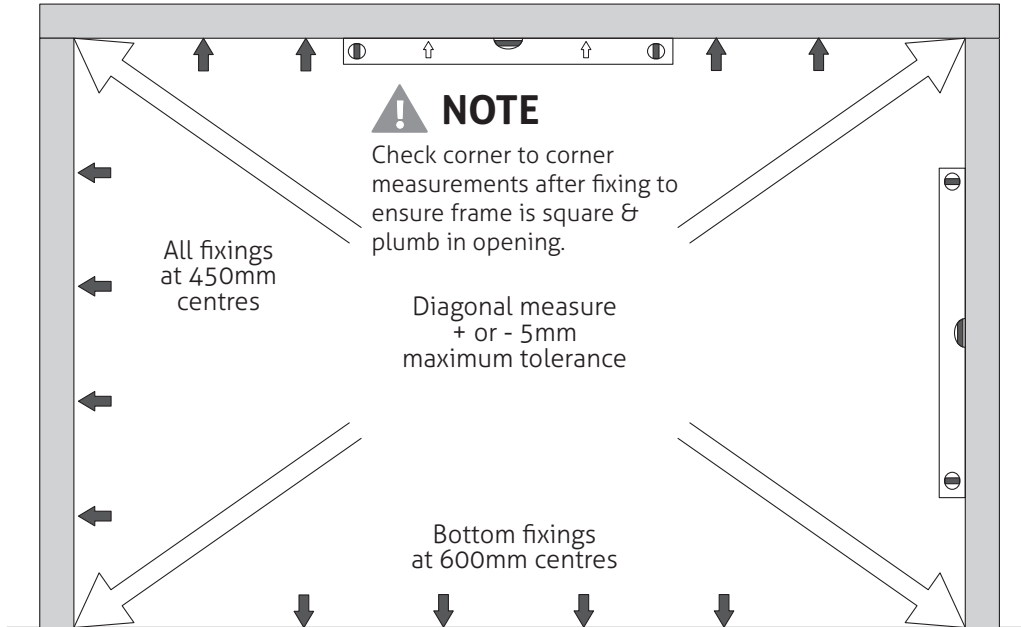
Fix the jambs using 2no 75mm screws both ends.



Check to ensure you have the machining on the jambs on the right place (i.e. Jambs not upside down). The Pivot hinge machining location should be 153mm from the top of the frame - not the bottom.

05 INSTALL YOUR FRAME IN THE OPENING

Using appropriate fixings, attach the frame in the opening with the front of the jamb face either in line, or slightly in front of the facing wall (2-3mm).



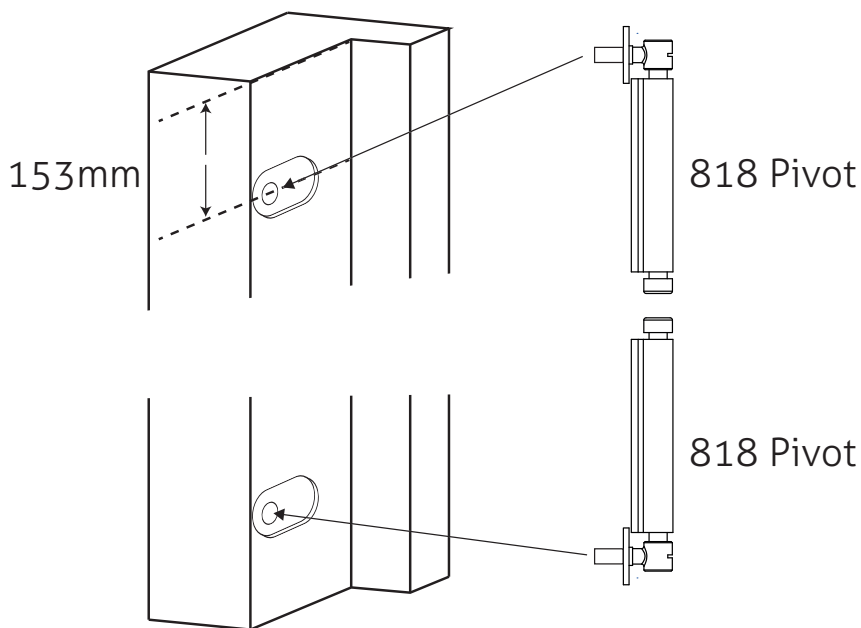
06 CHECK YOUR INTERNAL REBATE MEASUREMENT

Before proceeding, check the internal frame rebate dimensions to ensure they are correct & adjust frame as necessary.

No Doors / frame size ordered	Door Pattern / Size ordered	Internal Rebate Size Req:
3 Door 1682 x 2031	2 + 1 x 533mm (21")	1622
3 Door 1800 x 2031	2 + 1 x 573mm (22.5")	1740
3 Door 1914 x 2031	2 + 1 x 610mm (24")	1854
3 Door 2142 x 2031	2 + 1 x 686mm (27")	2082
4 Door 2216 x 2031	2 + 2 x 533mm (21")	2156
4 Door 2374 x 2031	2 + 2 x 573mm (22.5")	2314
4 Door 2524 x 2031	2 + 2 x 610mm (24")	2464
4 Door 2826 x 2031	2 + 2 x 686mm (27")	2766

07 INSTALLING YOUR DOORS

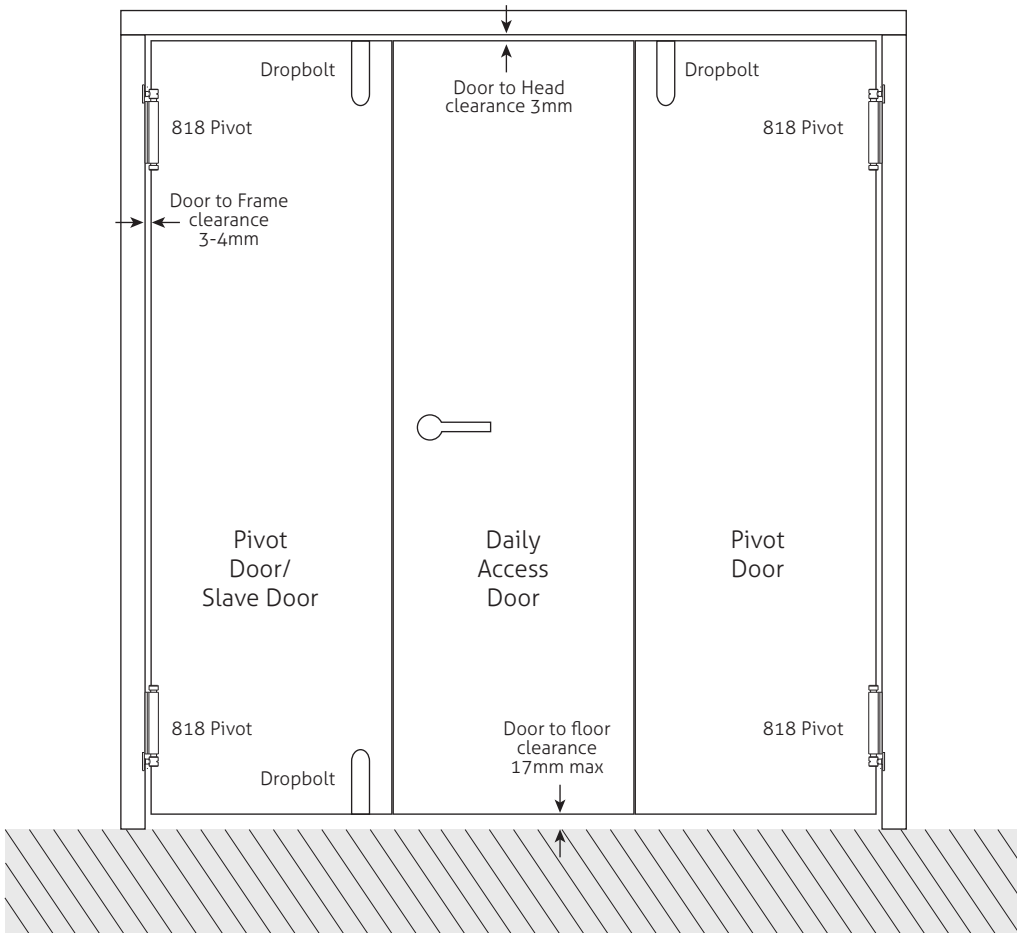
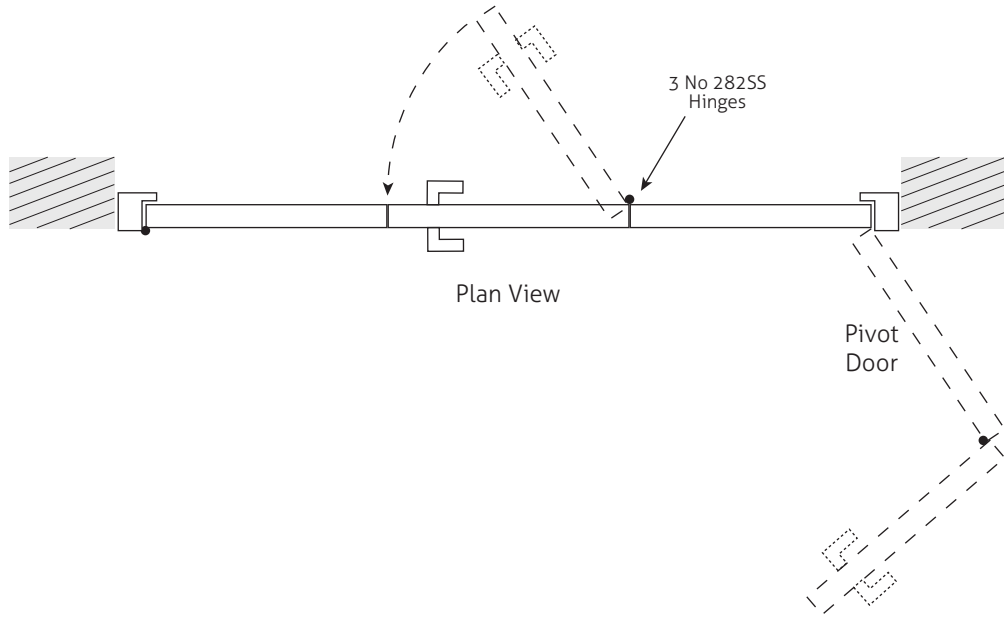
A: Fit the pivot hinges into the pre-machined holes in the frame jambs with each pivot pin facing each other (reversing the hinge flag as necessary by unscrewing the bolt through the hinge).



B: Screw in the main body of the bolt into the mounting plate until the back of the hinge flag is approx 1mm from jamb face for optimum adjustment.

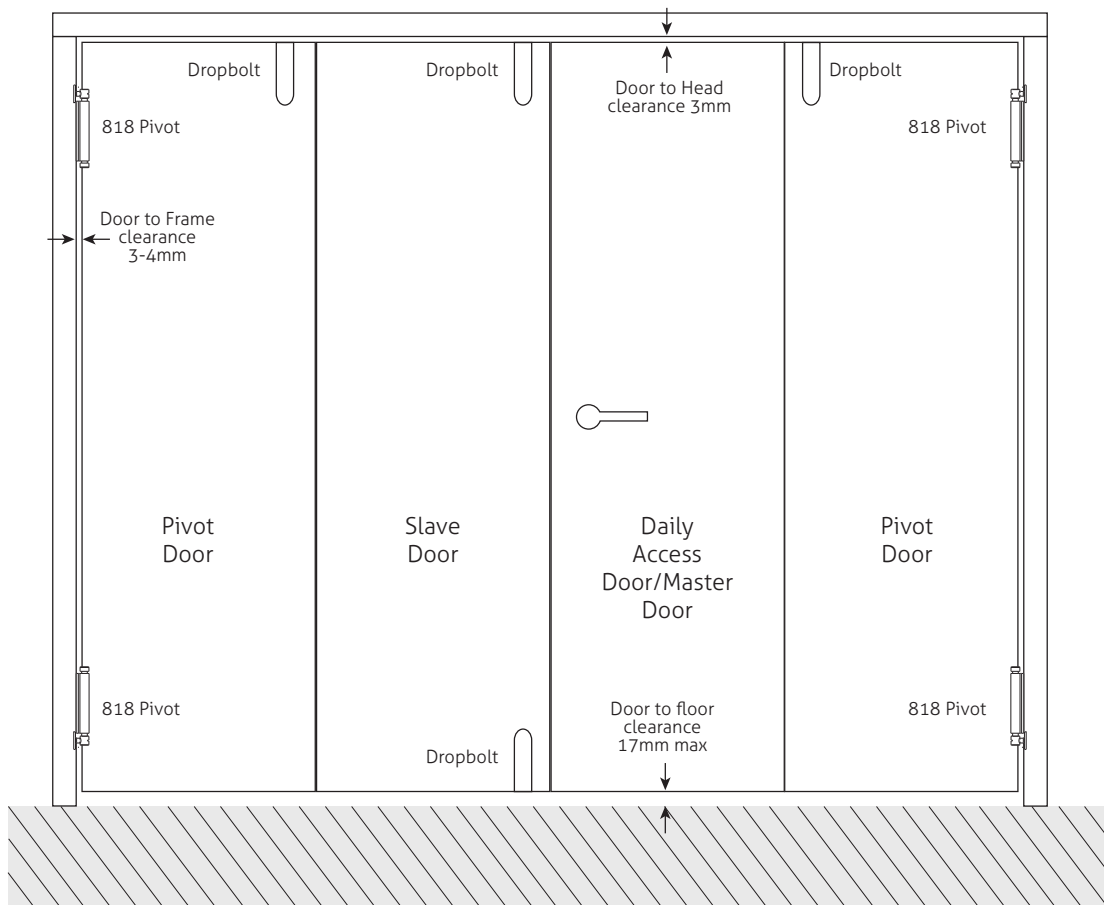
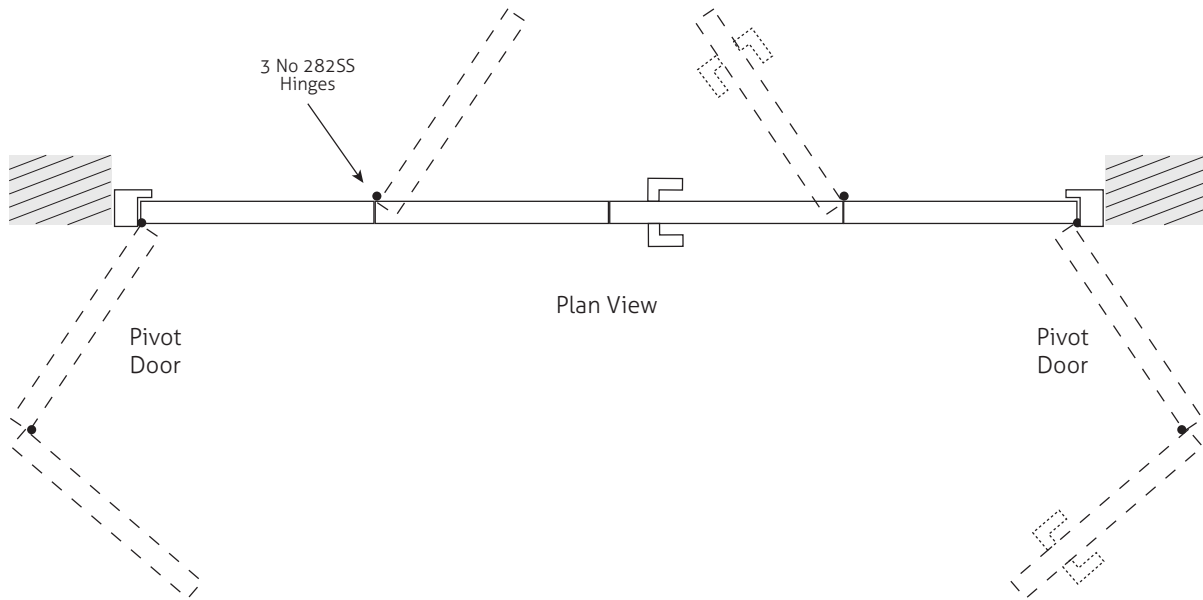
08 FRENCH FOLD - 3 DOOR

Fit drop bolts and door overview of door operation.

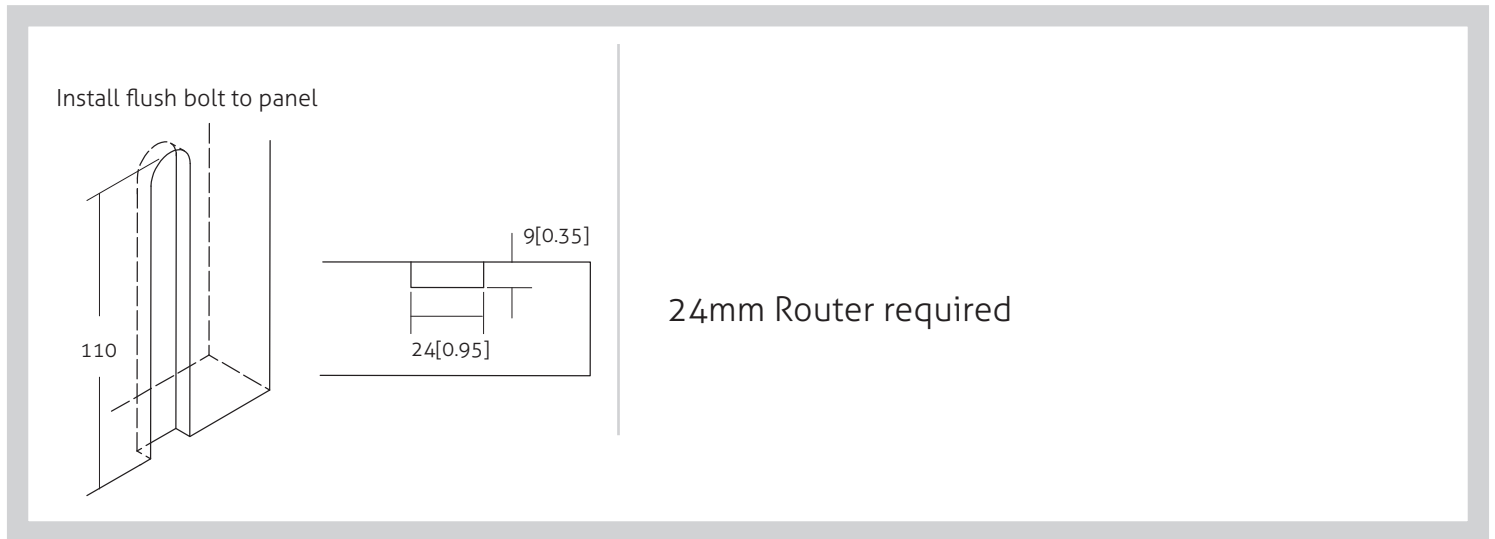


09 FRENCH FOLD - 4 DOOR

Fit drop bolts and door overview of door operation.

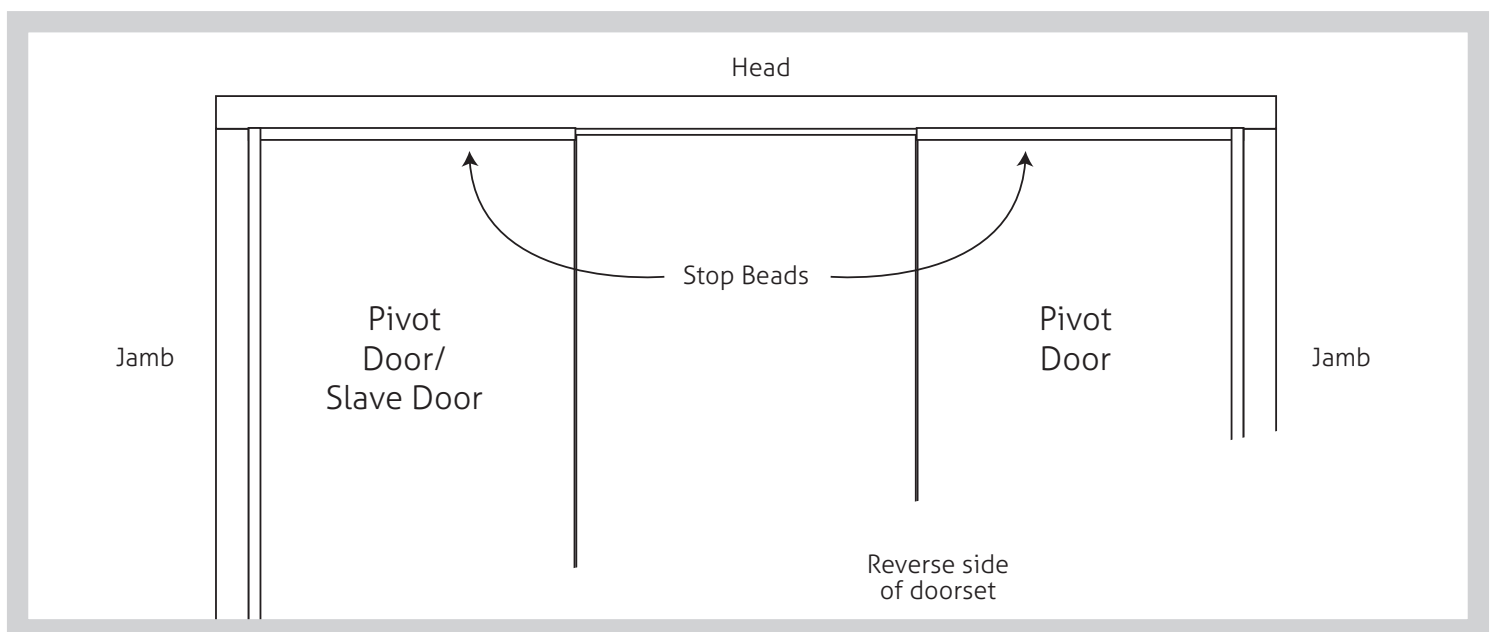


10 FLUSH BOLT MACHINING



11 ATTACHING THE DOORS

- A. Attach each pivot door to the pivot hinges leaving a 3mm gap at the top of the door between the door & frame-head.
- B. Using 3 No face fix 282SS hinges attach the daily access door (& slave door) to the pivot doors being careful to place them on the correct edge of the doors (refer door overview arrangements)
- C. Fit the T piece section to the meeting stile of the slave door to act as a door stop for the master door.
- D. Adjust the doors as necessary to ensure they are square and operate properly.
- E. Trim the door stop beads to the width of the pivot door and attach to the frame head to stop the pivot door closing past 180°.



- F. Once the door stops are fitted, close the doors and mark out positions of the drop bolt keeps on the head, face fix using screws provided (dust box not required). Repeat on any flush bolts for the bottom of the doors.

